



DCLT5 塑壳直流支撑电容器

DC-LINK CAPACITOR_DCLT5 (PLASTIC CASE 105°C)

主要特点

- 可承受高有效值电流
- 可承受高峰值电流
- 自感低
- 可靠性高，使用寿命长
- 无极性介质

应用领域

- 电动车和混合动力车
- 焊接设备
- 感应加热设备
- 电机驱动

Highlight Features

- High Irms rating
- High Ipeak rating
- Low self-inductance
- High reliability and life expectancy
- Non-polar

Applications

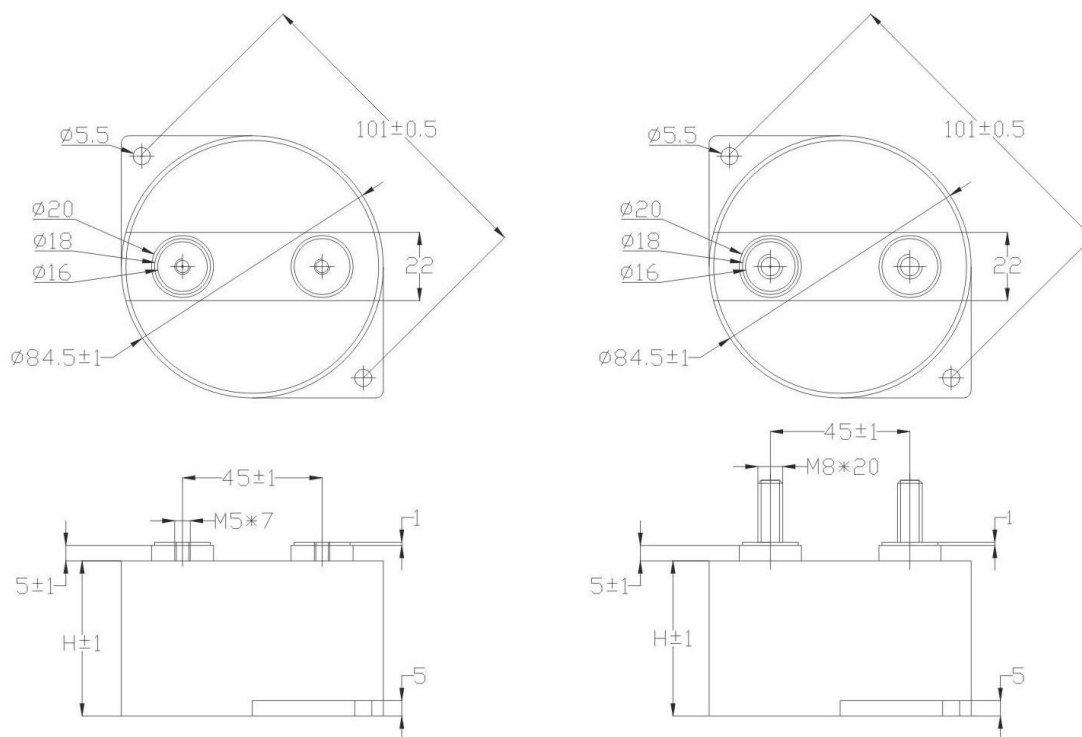
- Electric Vehicle or Hybrid Electric Vehicle
- Welding machine
- Induction heating equipment
- Motor Driver system



技术参数 Parameters

容量范围 Rated Capacitance	20 μ F ~ 380 μ F (25°C)
额定电压 Rated Voltage	450VDC~1900VDC
容量偏差 Tolerance	\pm 10% (standard), \pm 5% (upon request)
电介质 Dielectric	Metallized polypropylene, Segmented MKP (upon request)
介质损耗 Dissipation factor	Tan d \leq 0.0002 (100Hz , 25°C)
时间常数 Insulation resistor(RC)	\geq 5,000s after 1 minute of electrification at 100Vdc (25°C)
运行温度 Operating temperature (T _{mp} /T _{max})	-40°C ~ +105°C
储存温度 Storage temperature (T _s)	-40°C ~ +85°C
海拔高度 Altitude	\leq 2000m
预期寿命 Life expectancy	100,000 hours at Un and Ths \leq 70°C
极间耐压 Test voltage between terminals	1.5 U _{NDC} / 10s at 25°C
极壳耐压 Test voltage terminal to case	3kVAC / 60s 50Hz at 25°C
过电压 Over voltage	1.1U _{NDC} (30% of on-load-duration);1.15UNDC (30 min / day) 1.2U _{NDC} (5 min / day);1.3UNDC (1 min / day)
结构 Construction	Dry, Filling with epoxy resin, UL94V-0,Antiflaming,Non-inductive
外壳 Case	Stainless steel case
参考标准 Reference standards	IEC61071-2007, UL94V-0, GB/T17702-2013
安全认证 Safety Approvals	UL (Certificate NO.E185116) TUV (Certificate NO.B160273204023)

外观尺寸 Outline Drawing



常用规格选型表 General Specifications Table

规格型号 Specification	C μF	ΦD mm	H mm	ESR mΩ	I _{max} A	R _{th} °C/W	产品代码 Code
Un=450VDC							
DCLT5SY450-170	170	84.5	41	0.7	92	6.8	I0450L1700UKN2OYU3N
DCLT5SY450-260	260	84.5	50	0.9	97	5.3	I0450L2600UKN2OYU3N
DCLT5SY450-380	380	84.5	65	1.0	95	5.0	I0450L3800UKN2OYU3N
Un=600VDC							
DCLT5SY600-100	100	84.5	41	0.8	88.0	6.8	I0600L1000UKN2OYU3N
DCLT5SY600-150	150	84.5	50	1.0	89.0	5.3	I0600L1500UKN2OYU3N
DCLT5SY600-220	220	84.5	65	1.1	89.0	5.0	I0600L2200UKN2OYU3N
Un=800VDC							
DCLT5SY800-66	66	84.5	41	0.8	91.0	6.8	I0800L0660UKN2OYU3N
DCLT5SY800-100	100	84.5	50	1.1	88.0	5.3	I0800L1000UKN2OYU3N
DCLT5SY800-140	140	84.5	65	1.3	83.0	5.0	I0800L1400UKN2OYU3N
Un=900VDC							
DCLT5SY900-47	47	84.5	41	1.0	78.0	6.8	I0900L0470UKN2OYU3N
DCLT5SY900-70	70	84.5	50	1.2	84.0	5.3	I0900L0700UKN2OYU3N
DCLT5SY900-100	100	84.5	65	1.3	83.0	5.0	I0900L1000UKN2OYU3N

注：特殊规格，可按客户需求定制。

Note: Customized products are available upon request.